

**Product:** KLUDI FIZZ THM Dual Shower System DN 15

**Ref.:** 6709605-00

**Product description**

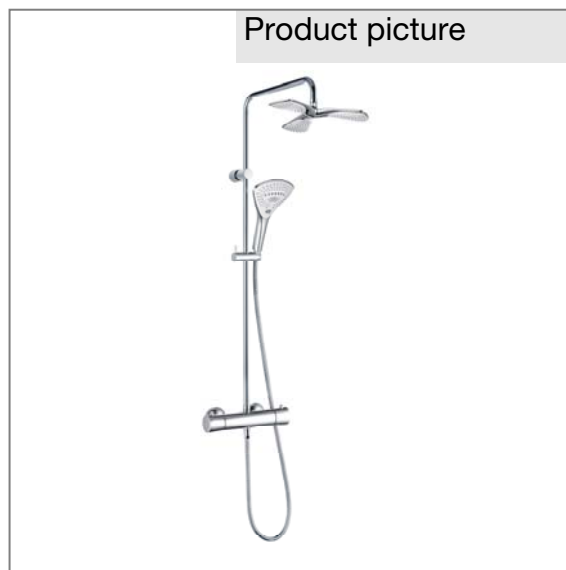
Thermostat Dual Shower System DN 15  
 wall fastening, flow class BB  
 temperature control handle with hot water safety device 38°C  
 with ceramic shut-off valve as rotary valve 90°/90°  
 hand shower outlet (below), rotate the handle to the rear  
 head shower outlet (up), rotate the handle forward  
 protected against back flow  
 ridgeless adjustable shower holder  
 vertically and horizontally adjustable  
 with KLUDI SUPARAFLEX shower hose 1/2 x 1/2 inch x 1600 mm  
 with KLUDI FIZZ head shower KB 3  
 with KLUDI FIZZ hand shower 3S  
 with fixing kit

Finishes:  
 05 chrome

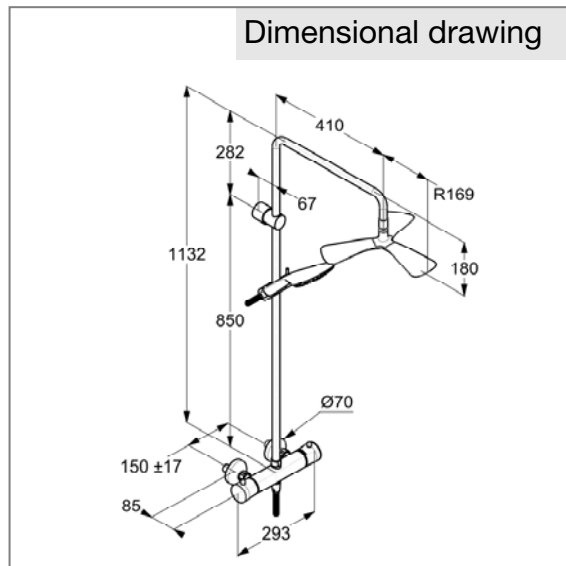
**Advertisement**

Thermostat Dual Shower System, manufacturer KLUDI GmbH & Co KG  
 KLUDI FIZZ item no. 6709605-00  
 type: Thermostat Dual Shower System 3S, with thermostat shower mixer DN 15 / PN 10, chrome plated brass / plastic, ceramic shut-off valve as a rotary valve 90°/90°, solid handle chrome plated plastic, temperature control handle with hot water safety device 38 °C, with dirt catch sieve and backflow preventer, flow rate hand shower 17 l/min at 3 bar, flow rate head shower 20 l/min at 3 bar, protected against back flow DIN EN 1717, concealed wall unions S-unions 1/2 x 3/4 inch, with KLUDI FIZZ head shower KB 3 with cleaning system, chrome plated plastic/metal, shower riser with rigid pipe clip and fixing kit, with ridgeless adjustable shower holder vertically and horizontally adjustable, with hand shower KLUDI FIZZ 3S with booster / linear / volume spray, chrome plated plastic, with cleaning system, connection 1/2 inch, with KLUDI SUPARAFLEX shower hose 1/2 x 1/2 inch x 1600 mm, plastic coated with metal effect, safe against twisting, with fixing kit, for pressure type water heater, for continuous line heater  
 dimensions: height: 1132 mm, projection: 646 mm, width thermostat shower mixer: 293 mm, projection thermostat shower mixer: 85 mm

Product picture



Dimensional drawing



Flow rate diagram

