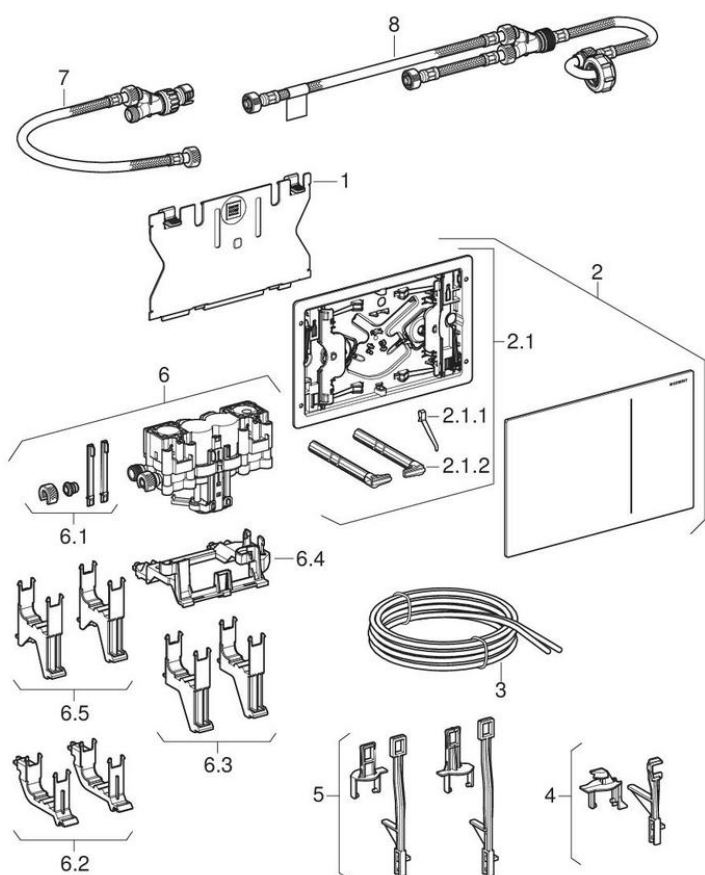


## Flush plates Sigma70 for dual flush

2013 -



**Brand** Geberit

**Type** Sigma70

### Characteristics

Year of manufacture from	2013
Dimensions / Design	24 x 15.8 cm
Range	Sigma70

### Valid for articles

115.621.00.1	115.627.00.1	115.621.FW.1	115.621.SI.1
115.621.SJ.1	115.621.SQ.1	115.627.FW.1	115.627.SI.1
115.627.SJ.1	115.627.SQ.1		

### Related spare parts

- Overview flush plates and cover plates for Sigma concealed cisterns

#	Art. no.	Description	Remarks
1	242.819.00.1	Geberit protection plate for hydraulic servo lifter, for Sigma concealed cistern 12 cm	
1	243.084.00.1	Geberit protection plate for hydraulic servo lifter, for Sigma concealed cistern 8 cm	
2	242.813.00.1	Geberit flush plate Sigma70 for dual flush: customised	
2	242.813.FW.1	Geberit flush plate Sigma70 for dual flush: brushed, easy-to-clean coated	
2	242.813.SI.1	Geberit flush plate Sigma70 for dual flush: white	
2	242.813.SJ.1	Geberit flush plate Sigma70 for dual flush: black	
2	242.813.SQ.1	Geberit flush plate Sigma70 for dual flush: umber	
2.1	242.814.00.1	Geberit mounting frame for flush plate Sigma70	
2.1.1	813.514.00.1	Geberit spring for flush plate	
2.1.2	241.874.00.1	Geberit set of actuator rods for flush plate	
3	243.297.00.1	Geberit double pneumatic hose, green	
4	242.825.00.1	Geberit conversion set for hydraulic servo lifter, for Sigma concealed cistern 12 cm	
5	242.826.00.1	Geberit conversion set for hydraulic servo lifter, for Sigma concealed cistern 8 cm	
6	242.820.00.1	Geberit hydraulic servo lifter	
6	243.461.00.1	Geberit hydraulic servo lifter, 1-3 bar	
6.1	242.822.00.1	Geberit accessories set for hydraulic servo lifter	
6.2	243.170.00.1	Geberit support block for hydraulic servo lifter, for Sigma concealed cistern 12 cm	
6.3	243.171.00.1	Geberit support block for hydraulic servo lifter, for Sigma concealed cistern 8 cm	Up to 2015

#	Art. no.	Description	Remarks
6.4	243.169.00.1	Geberit support block for hydraulic servo lifter, for Omega concealed cistern	
6.5	243.347.00.1	Geberit support block for hydraulic servo lifter, for Sigma concealed cistern 8 cm	From 2016
7	242.824.00.1	Geberit reinforced braided hose for hydraulic servo lifter, for Sigma concealed cistern 12 cm	
8	242.823.00.1	Geberit reinforced braided hose for hydraulic servo lifter, for Sigma concealed cistern 8 cm	