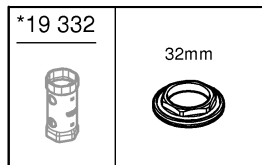
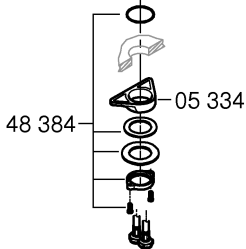
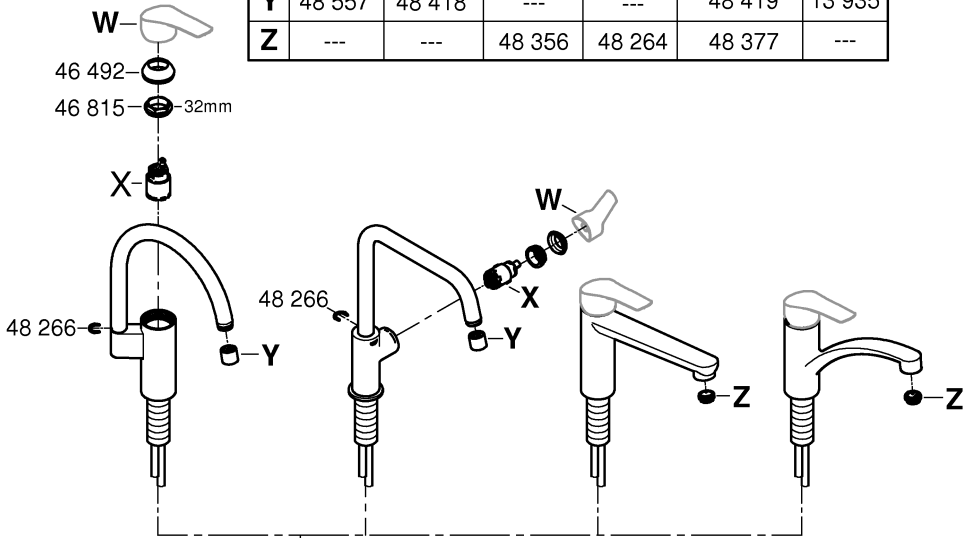




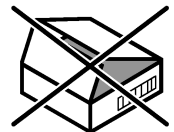
W	48 530	48 540	48 531
X	46 374	46 863	46 963
		46 824 (F)	

	25 l/min	15 l/min	13 l/min	11 l/min	(KSA)	(UAE)	(CN)
Y	48 557	48 418	---	---	48 419	13 935	
Z	---	---	48 356	48 264	48 377	---	



*

=





DIN EN
806

DIN EN
1717

DIN
1988



bar

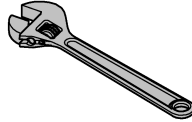
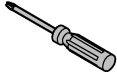


°C

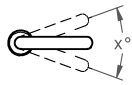
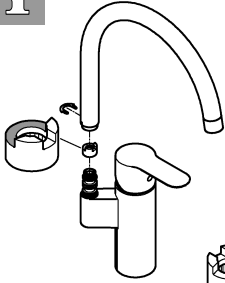
max.
10



max.
70°



32mm
*19 332

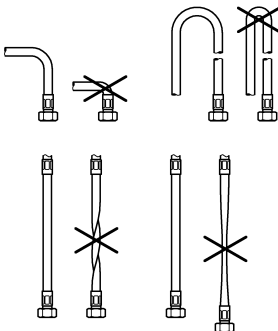
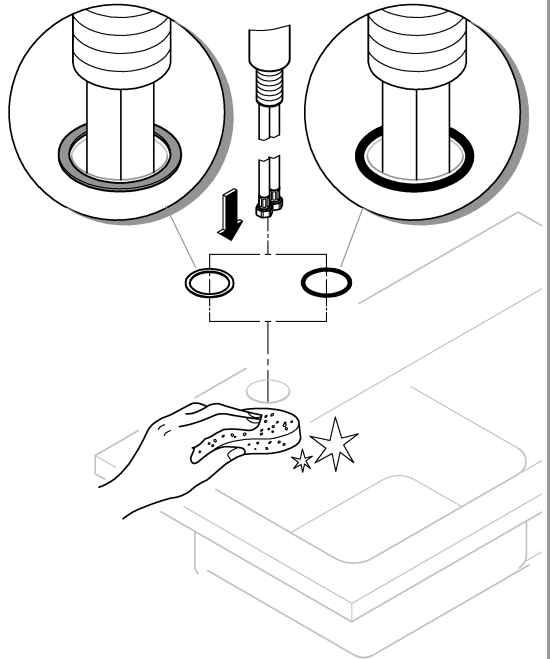


150°



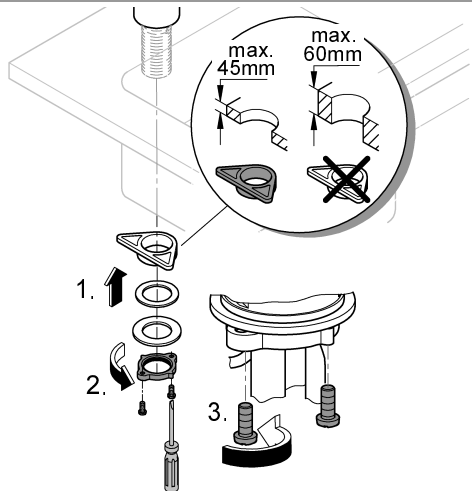
0°

1





2



3

