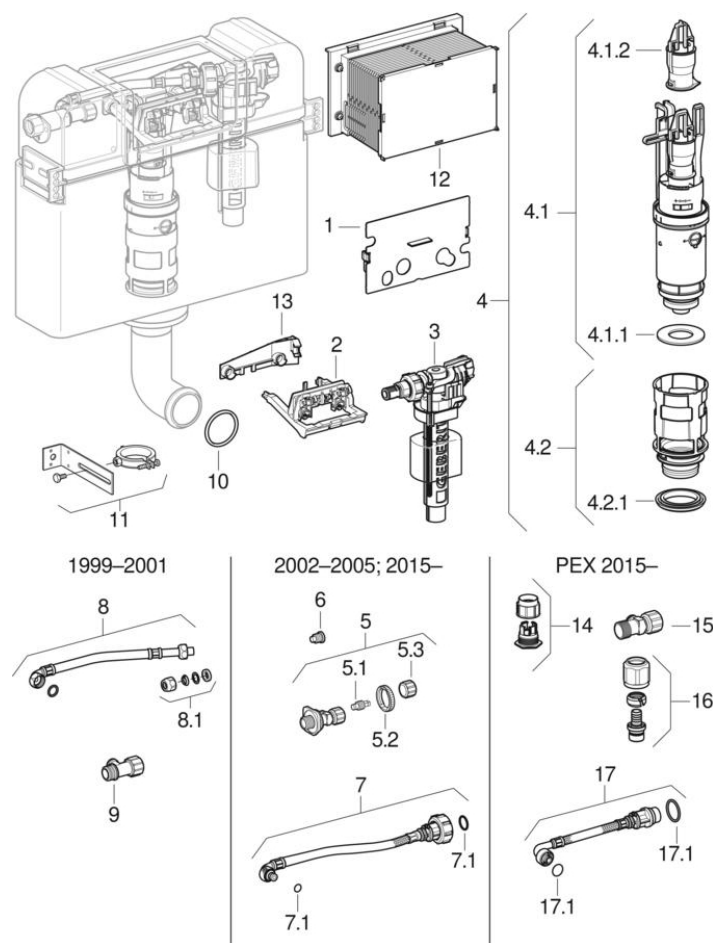


**Kappa concealed cisterns 15 cm (UP120, Artline), also for PEX connector**

1998 -



**Type** Artline, Kappa 15 cm

**Characteristics**

Year of manufacture from	1998
Dimensions / Design	Service opening: 18 x 11 cm, cistern: 39.5 x 35 cm
Range	UP120 (Artline) / Kappa 15 cm

**Valid for articles**

109.205.00.1 109.205.00.2 110.230.00.1

**Related spare parts**

- WC flush controls with pneumatic flush actuation, single flush, exposed actuator
- Overview flush plates and cover plates for Kappa concealed cisterns
- WC flush controls with pneumatic flush actuation, dual flush, concealed actuator
- WC flush controls with pneumatic flush actuation, dual flush, surface-mounted actuator
- HyTouch WC flush controls, manual / pneumatic, single flush
- WC flush controls with pneumatic flush actuation, single flush, concealed actuator
- WC flush controls with pneumatic flush actuation, dual flush, with locked nuts, concealed actuator
- WC flush controls with pneumatic flush actuation, single flush, wall-mounted foot actuator
- WC flush controls with pneumatic flush actuation, single flush, with locked nuts, concealed actuator, for furniture
- WC flush controls with pneumatic flush actuation, single flush, with locked nuts, for institutions
- Flush plates Artline, Kappa, for dual flush

**Brand** Geberit, Sanbloc

#	Art. no.	Description	Replacement for	Remarks
1	240.206.00.1	Geberit protection plate for Kappa concealed cistern 15 cm		
2	240.079.00.1	Geberit support block for Artline concealed cistern		
3	242.984.00.1	Geberit fill valve type 380, lateral water supply connection, 3/8", nipple made of brass		
3	SPT_461085	Fill valves type 380, lateral water supply connection		
4	240.637.00.1	Geberit flush valve with basket		
4.1	240.638.00.1	Geberit flush valve for concealed cistern Kappa	240.122.00.1, 242.141.00.1	
4.1.1	816.418.00.1	Geberit flat gasket for flush valve for exposed and concealed cistern: d=63mm		
4.1.2	241.167.00.1	Geberit flush valve bracket for flush valves		
4.2	241.859.00.1	Geberit basket for concealed cistern	240.928.00.1	
4.2.1	240.282.00.1	Geberit section seal		
4.2.1	241.868.00.1	Geberit section seal for basket		For basket 241.859.00.1
5	240.269.00.1	Geberit water supply connection with integrated angle stop valve	240.177.00.1	
5	240.847.00.1	Geberit water supply connection with integrated angle stop valve, resistant to seawater		

#	Art. no.	Description	Replacement for	Remarks
5.1	240.298.00.1	Geberit spindle for angle stop valve		For use with hand wheel
5.2	241.857.00.1	Geberit counternut		
5.3	240.347.00.1	Geberit hand wheel for angle stop valve		
6	240.925.00.1	Geberit spindle for angle stop valve		
7	240.629.00.1	Geberit reinforced braided hose for Kappa concealed cistern 15 cm	240.846.00.1	
7	240.817.00.1	Geberit reinforced braided hose, dezincification-resistant, for Kappa concealed cistern 15 cm		
7.1 / 17.1	240.922.00.1	Geberit set of seals for reinforced braided hose		
8	240.329.00.1	Geberit reinforced braided hose for concealed cistern		
8.1	294.833.21.1	Geberit cone screw fitting R 3/8": gloss chrome-plated		
9	240.644.00.1	Geberit angle stop valve for concealed cisterns, resistant to seawater		
10	362.771.00.1	Geberit lip seal for flush pipe: d=45mm		
11	241.378.00.1	Geberit flush pipe fastening		
12	240.172.00.1	Geberit protection box for service opening, for Kappa concealed cistern		
13	244.131.00.1	Geberit fastening plate for Kappa concealed cistern		
14	241.696.00.1	Geberit protective tube adaptor		