

**Product:** KLUDI FIZZ THM Dual Shower System DN 15

**Ref.:** 6709505-00

**Product description**

thermostat Dual Shower System DN 15  
 wall fastening, flow class BB  
 temperature control handle with hot water safety device 38°C  
 with ceramic shut-off valve as rotary valve 90°/90°  
 shower outlet G 1/2 (below)  
 hand shower rotate the handle to the rear  
 shower outlet (up)  
 head shower rotate the handle forward  
 protected against back flow  
 with KLUDI FIZZ head shower KB 3  
 with KLUDI FIZZ hand shower 1 S  
 with fixing kit  
 noise group I

Finishes:  
 05 chrome

**Advertisement**

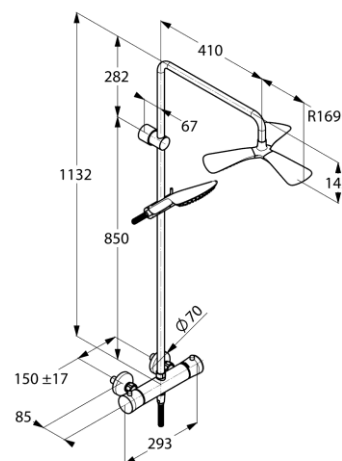
- \* KLUDI GmbH & Co KG KLUDI FIZZ THM Dual Shower System DN 15  
 item no. 6709505-00
- \*\* temperature control handle with hot water safety device 38°C, DIN EN 1111
- \*\*\* chrome plated brass, DIN EN 50930-6

manufacturer KLUDI GmbH & Co KG  
 type KLUDI FIZZ THM Dual Shower System, item no. 6709505-00, DN 15, chrome plated brass/plastic, ceramic shut-off valve as a rotary valve 90°/90°, solid handle, noise level DIN EN 4109 group I, temperature control handle with hot water safety device 38 °C, type: thermostat shower mixer DN 15, flow class BB, shower outlet 1/2 inch, protected against back flow DIN EN 1717, S unions 1/2 x 3/4 inch, projection 85/293 mm, with KLUDI FIZZ head shower KB 3, projection 340 mm, with hand shower KLUDI FIZZ 1 S, with cleaning system, with volume spray, chrome plated plastic, connection outside screw 1/2 inch, projection 275 mm, width 160 mm, rigid shower riser outlet top, with shower pipe with fixing kit, with slider horizontally and vertically adjustable, with KLUDI SUPRAFLEX shower hose 1/2 x 1/2 x 1600 mm, for pressure type water heater, for continuous line heater, PN 10,

**Product picture**



**Dimensional drawing**



**Flow rate diagram**

No information 27.10.2011