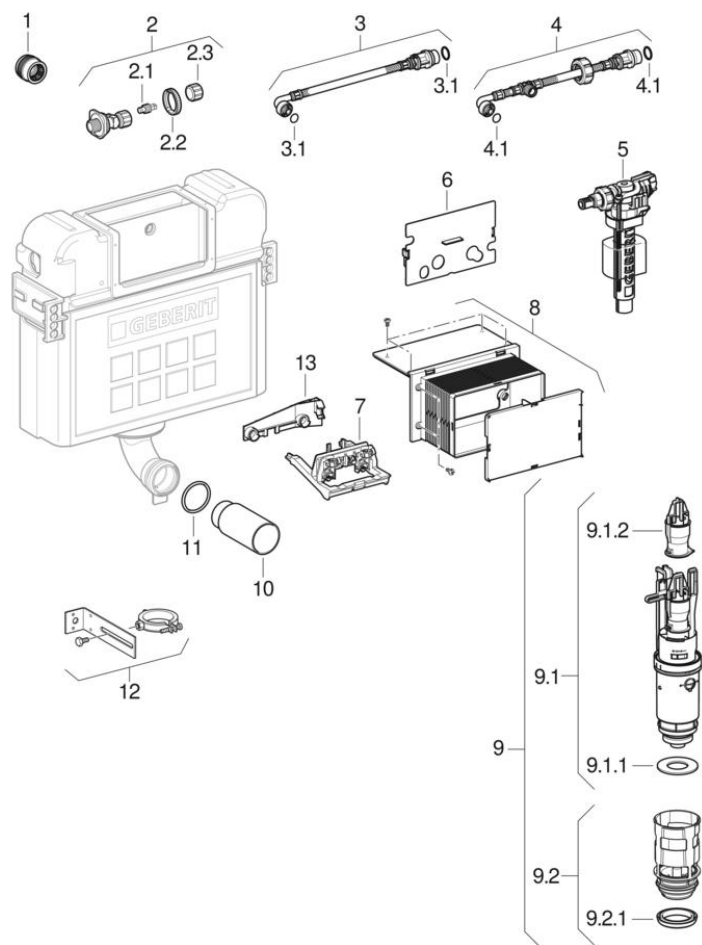


Kappa concealed cisterns 15 cm (UP200)

2002 -



Type Kappa 15 cm, Omega 12 cm, UP200

Characteristics

Year of manufacture from	2002
Dimensions / Design	Service opening: 18 x 11 cm, cistern: 40.5 x 35 cm
Range	UP200 / Kappa 15 cm

Valid for articles

109.200.00.1 109.210.00.1 109.211.00.1

Related spare parts

- Overview flush plates and cover plates for Kappa concealed cisterns
- WC flush controls with pneumatic flush actuation, single flush, exposed actuator
- WC flush controls with pneumatic flush actuation, dual flush, concealed actuator
- HyTouch WC flush controls, manual / pneumatic, single flush
- WC flush controls with pneumatic flush actuation, dual flush, surface-mounted actuator
- WC flush controls with pneumatic flush actuation, single flush, concealed actuator
- WC flush controls with pneumatic flush actuation, dual flush, with locked nuts, concealed actuator
- WC flush controls with pneumatic flush actuation, single flush, wall-mounted foot actuator
- WC flush controls with pneumatic flush actuation, single flush, with locked nuts, concealed actuator, for furniture
- WC flush controls with pneumatic flush actuation, single flush, with locked nuts, for institutions
- Flush plates Artline, Kappa, for dual flush

Brand Geberit, Huter

#	Art. no.	Description	Replacement for	Remarks
1	632.001.00.1	Geberit MeplaFix adaptor: CW617N, d=MF20mm, RpMF=1/2"		
2	240.269.00.1	Geberit water supply connection with integrated angle stop valve	240.177.00.1	
2	240.847.00.1	Geberit water supply connection with integrated angle stop valve, resistant to seawater		
2.1	240.298.00.1	Geberit spindle for angle stop valve		For use with hand wheel
2.2	240.623.00.1	Geberit counternut		
2.2	241.857.00.1	Geberit counternut		
2.3	240.347.00.1	Geberit hand wheel for angle stop valve		
3	240.629.00.1	Geberit reinforced braided hose for Kappa concealed cistern 15 cm	240.846.00.1	
3	240.817.00.1	Geberit reinforced braided hose, dezincification-resistant, for Kappa concealed cistern 15 cm		
3.1 / 4.1	240.922.00.1	Geberit set of seals for reinforced braided hose		
5	242.984.00.1	Geberit fill valve type 380, lateral water supply connection, 3/8", nipple made of brass		
5	SPT_461085	Fill valves type 380, lateral water supply connection		
6	240.206.00.1	Geberit protection plate for Kappa concealed cistern 15 cm		

#	Art. no.	Description	Replacement for	Remarks
7	240.533.00.1	Geberit support block for Kappa concealed cistern 15 cm	242.141.00.1	
8	240.172.00.1	Geberit protection box for service opening, for Kappa concealed cistern		
9	240.637.00.1	Geberit flush valve with basket		
9.1	240.638.00.1	Geberit flush valve for concealed cistern Kappa	240.122.00.1, 242.141.00.1	
9.1.1	816.418.00.1	Geberit flat gasket for flush valve for exposed and concealed cistern: d=63mm		
9.1.2	241.167.00.1	Geberit flush valve bracket for flush valves		
9.2	241.859.00.1	Geberit basket for concealed cistern	240.928.00.1	
9.2.1	240.282.00.1	Geberit section seal		For basket 241.859.00.1
9.2.1	241.868.00.1	Geberit section seal for basket		
10	362.796.92.1	Geberit protection plug: d=44.6mm		
11	362.771.00.1	Geberit lip seal for flush pipe: d=45mm		
12	241.378.00.1	Geberit flush pipe fastening		
13	244.131.00.1	Geberit fastening plate for Kappa concealed cistern		