

Product: **KLUDI KIDÓ shower set DN 15**

Ref.: **3914005-00**

### Product description

shower set DN 15  
 wall rail  
 L = 900 mm  
 with slider horizontally and vertically adjustable slider  
 with KLUDI KIDÓ handshower DN 15  
 flow class B  
 with cleaning system  
 flexible hose with metal effect G 1/2 x G 1/2 x 1600 mm  
 anti twist  
 with conical nuts  
 noise group I

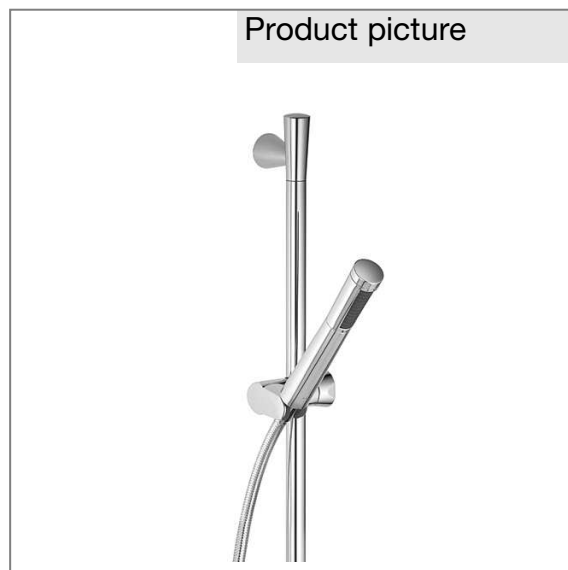
Finishes:  
 05 chrome

### Advertisement

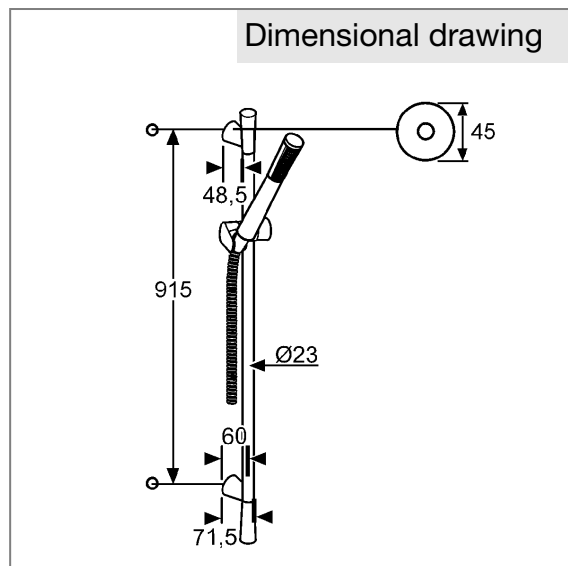
- \* KLUDI GmbH & Co KG KLUDI KIDÓ shower set item no. 3914005-00
- \*\* length wall rail 900 mm
- \*\*\* length shower hose 1600 mm
- \*\*\*\* DIN EN 1112, DIN EN 1113

shower set, manufacturer KLUDI GmbH & Co KG KLUDI KIDÓ shower set item no. 3914005-00, shower rail length 900 mm, chrome plated brass, slider for shower hoses with conical nuts, length of shower hose 1600 mm, connection 1/2 x 1/2 inch, flexible hose with metal effect, anti twist, incl. fixing kit, KLUDI KIDÓ handshower DN 15, chrome plated plastic, noise level DIN EN 4109 group I, without report no., with normal spray and cleaning system, for pressure type water heater, continuous line heater, PN 5,

### Product picture



### Dimensional drawing



### Flow rate diagram

