

Product: KLUDI OBJEKTA multi-bayonet single lever sink mixer DN 15

Ref.: 325790575

Product description

multi-bayonet single lever sink mixer DN 15
 single hole mounted
 solid lever
 ceramic cartridge with hot water safety device
 aerator M 24 x 1
 flow rate 13,1 l/min at 3 bar
 swivelling spout (360°)
 separate connection 3/4 inch
 for washing machine or dishwasher
 for installation below window
 remaining height at the base: 25 mm
 flexible high pressure supply tubes 3/8 inch
 shank-fixing

Finishes:
 05 chrome

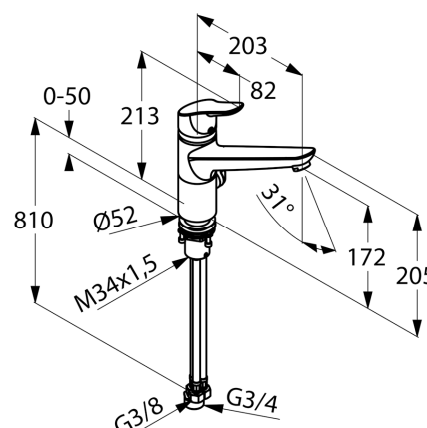
Advertisement

multi-bayonet single lever sink mixer, manufacturer KLUDI GmbH & Co. KG
 KLUDI OBJEKTA item no. 325790575
 type: multi-bayonet single lever sink mixer, DN 15 / PN 10 with swivel spout (360°),
 chrome plated brass, solid lever chrome plated metal, ceramic cartridge K-35 with
 hot water safety device, aerator M 24 x 1, flow rate 13,1 l/min at 3 bar, with separate
 connection for washing machine or dishwasher 3/4 inch, for installation below win-
 dow, remaining height at the base 25 mm, flexible high pressure supply tubes 3/8
 inch with DVGW / W270 approval, shank-fixing
 dimensions: height: 213 mm, nozzle height: 172 mm, projection: 203 mm, lever
 projection: 82 mm

Product picture



Dimensional drawing



Flow rate diagram

