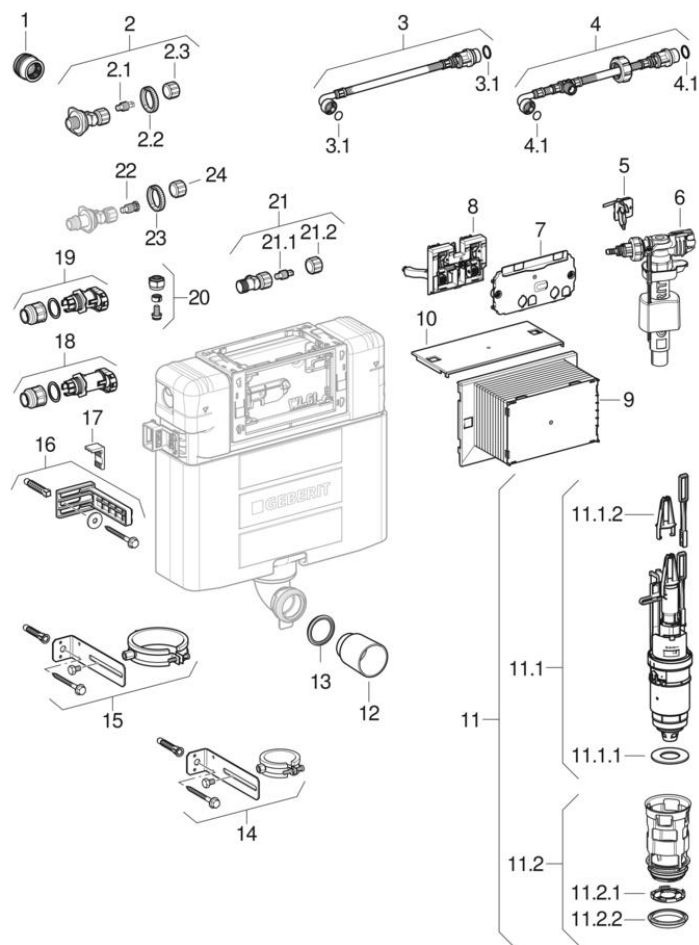


Omega concealed cisterns 12 cm

2014 -



Type Omega 12 cm

Characteristics

Year of manufacture from	2014
Dimensions / Design	Service opening: 18 x 11 cm, cistern: 40.5 x 38.5 cm
Range	Omega 12 cm

Valid for articles

109.041.00.1 109.051.00.1 109.061.00.1

Related spare parts

- WC flush controls with pneumatic flush actuation, single flush, exposed actuator
- WC flush controls with pneumatic flush actuation, single flush, concealed actuator
- WC flush controls with pneumatic flush actuation, dual flush, with locked nuts, concealed actuator
- Overview flush plates and cover plates for Omega concealed cisterns
- Flush plates Omega60 for dual flush
- WC flush controls with pneumatic flush actuation, single flush, wall-mounted foot actuator
- Flush plates Omega, for dual flush
- WC flush controls with pneumatic flush actuation, dual flush, concealed actuator
- WC flush controls with pneumatic flush actuation, dual flush, surface-mounted actuator
- HyTouch WC flush controls, manual / pneumatic, single flush
- Cover plates Omega
- Remote flush actuations type 70, for dual flush
- WC flush controls with pneumatic flush actuation, single flush, with locked nuts, concealed actuator, for furniture
- WC flush controls with pneumatic flush actuation, single flush, with locked nuts, for institutions

Brand Geberit

#	Art. no.	Description	Replacement for	Remarks
1	632.001.00.1	Geberit MeplaFix adaptor: CW617N, d=MF20mm, RpMF=1/2"		
2	240.269.00.1	Geberit water supply connection with integrated angle stop valve	240.177.00.1	
2.1 / 22	240.298.00.1	Geberit spindle for angle stop valve		
2.2	241.857.00.1	Geberit counternut		
2.3 / 21.2 / 24	240.347.00.1	Geberit hand wheel for angle stop valve		
3	240.629.00.1	Geberit reinforced braided hose for Kappa concealed cistern 15 cm	240.846.00.1	
3.1 / 4.1	240.922.00.1	Geberit set of seals for reinforced braided hose		
5	243.088.00.1	Geberit mounting clip for fill valve type 380 and Omega concealed cistern		
6	242.984.00.1	Geberit fill valve type 380, lateral water supply connection, 3/8", nipple made of brass		
6	SPT_461085	Fill valves type 380, lateral water supply connection		
7	243.089.00.1	Geberit protection plate for Omega concealed cistern		
8	243.091.00.1	Geberit support block for Omega concealed cistern		

#	Art. no.	Description	Replacement for	Remarks
9	243.092.00.1	Geberit protection box for service opening, for Omega concealed cistern		
10	243.093.00.1	Geberit insertion plate for concealed cistern		
11	243.094.00.1	Geberit flush valve and basket, for Omega concealed cistern		
11.1	243.095.00.1	Geberit flush valve for Omega concealed cistern		
11.1.1	816.418.00.1	Geberit flat gasket for flush valve for exposed and concealed cistern: d=63mm		
11.1.2	241.167.00.1	Geberit flush valve bracket for flush valves		
11.2	243.096.00.1	Geberit basket for Omega concealed cistern		
11.2.1	243.139.00.1	Geberit throttle for basket, for Omega concealed cistern		
11.2.2	241.868.00.1	Geberit section seal for basket		
12	362.796.92.1	Geberit protection plug: d=44.6mm		
13	362.771.00.1	Geberit lip seal for flush pipe: d=45mm		
14	241.378.00.1	Geberit flush pipe fastening		For installation heights 98 and 106 cm
15	243.097.00.1	Geberit flush bend fastening for Omega concealed cistern, installation height 82 cm		For installation heights 82 cm
16	241.026.00.1	Geberit fixing bracket 12 cm		
17	889.711.00.1	Geberit fixing slider		
23	240.623.00.1	Geberit conternut		