

Product: **KLUDI FRESHLINE bath and shower set 1S DN 15**

Ref.: **6785005-00**

Product description

bath and shower set 1S DN 15
 with rigid hand shower holder
 wall fastening
 flow rate 23 l/min at 3 bar
 with cleaning system
 KLUDI SUPARAFLEX SILVER shower hose
 1/2 x 1/2 inch x 1250 mm
 with KLUDI FRESHLINE 1 S hand shower
 with fixing kit, with dirt-catcher sieve

Finishes:
 05 chrome

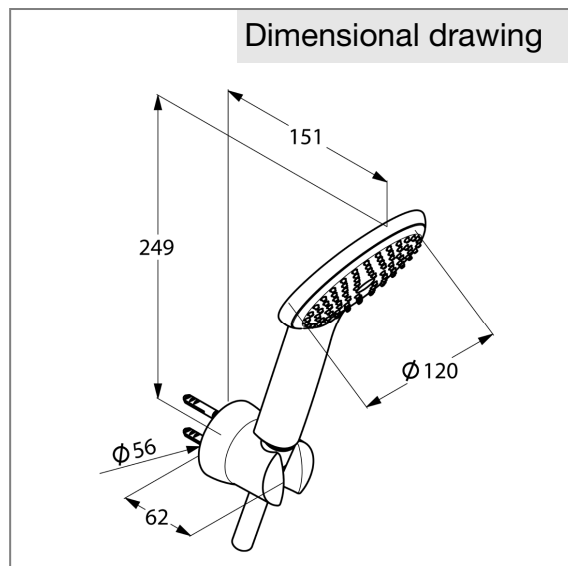
Product picture



Advertisement

bath and shower set, manufacturer KLUDI GmbH & Co. KG
 KLUDI FRESHLINE item no. 6785005-00
 type: bath and shower set with hand shower 1 S DN 15 / PN 5, chrome plated plastic
 with one spray pattern: rain shower, with rigid hand shower holder chrome plated
 plastic, with cleaning system, flow rate 23 l/min at 3 bar, with KLUDI SUPARAFLEX
 SILVER shower hose 1/2 x 1/2 inch x 1250 mm plastic coated with metal effect and
 conical connection nuts, with fixing kit, with dirt-catcher sieve
 dimensions: projection hand shower holder: 62 mm, projection hand shower: 151
 mm, height: 249 mm

Dimensional drawing



Flow rate diagram

